

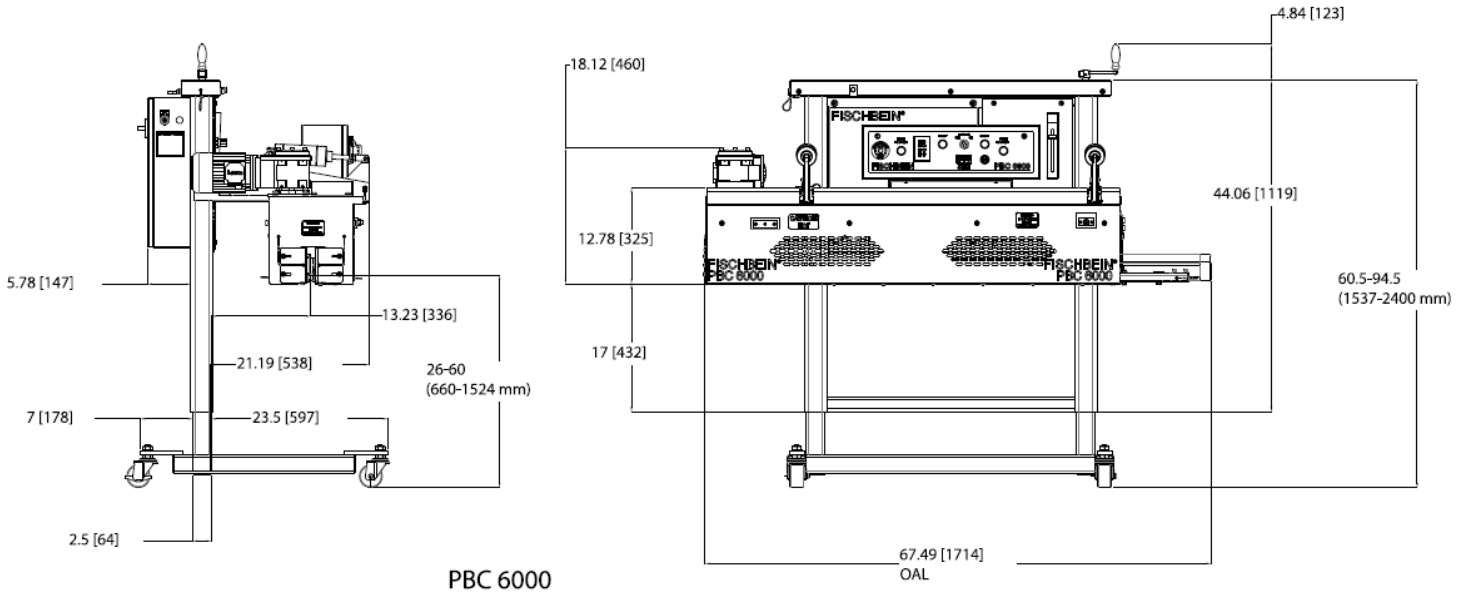
## Pinch Bag Closer

The Fischbein PBC 6000 is a heavy duty sealer producing sift resistant bag closure for a wide array of product from food additives and pet food, to pesticides and fertilizers in pinch style paper bags. A variable speed, direct drive system provides greater production on automated lines, sealing up to 75 linear feet per minute. A patented breakaway design eliminates costly downtime caused by bag jams, while allowing easier access for cleaning and service.



### APPLICATIONS

- Bakery Mixes
- Fertilizers
- Powdered Dairy Products
- Minerals
- Flour
- Agricultural Seed
- Pet Food
- Chemicals
- Feed Additives
- Cat Litter



PBC 6000

## FEATURES

- Bag Types: Seals a variety of pre-glued multi-wall, paper pinch-style bags.
- Breakaway Design Low Maintenance: The patented breakaway design eliminates costly downtime caused by bag jams while allowing easy cleaning and service of the hot-air manifold and bag folder.
- Sift Resistant Closures: Makes it perfect for powders and granulated chemicals, pesticides fertilizer, pet-food and food products.
- User Friendly Controls: Safe and easy to use control panel with digital temperature display, key pad for variable speed control, and dual emergency stop buttons.

## OPTIONS

- Left to right operation
- Reverse fold - rear direction
- Extended infeed for automation applications
- Additional motor starter and contractor for conveyor
- CR Plus 2 part corrosion resistant powder coat finish
- Stainless steel NEMA 4X wash-down version
- 575 VAC

## SPECIFICATIONS

- Dimensions:
  - W 68in (172.7 cm), D 33in (83.8 cm), H 72in(183 cm)
- Speed:
  - Up to 75 linear feet per minute
- Electric(NEMA 12):
  - 230/330/460V-3PH-60Hz, 24 VAC
- Air:
  - 7 cfm @ 90 PSI

## BAGS

- Bags Types:
  - Multi-wall paper pinch-style bags with pre-applied glue
- Gussets:
  - Any size including flat bags
- Free Bag Top:
  - Minimum 6 in (15.2 cm)