



OPEN MOUTH BAG AUGER PACKER



ALLPACK
packaging technologies

MODEL APO

Magnum Systems' Model APO is designed to handle powder products that aerate, bind, cake, or bridge easily. The variable speed auger option uses a bulk and dribble feeding technology and ensures a fast and accurate weight measurement.

USE SPEED AND PRECISION TO PACKAGE DIFFICULT TO FEED OR FLUIDIZED MATERIALS

Features

- Product agitator for material conditioning
- Variable speed auger for bulk and dribble feeding
- Enclosed discharge area and inflatable bag spout for dust control
- T-4000 weigh controller with digital readout

Optional Features

- Stainless steel contacts for food grade
- De-aeration probes to stabilize fluidized products
- Bag settler
- Container platform and lift
- Removable screw and agitator
- Dropout bottom for ease of cleaning
- T-3000 weigh controller
- Integral controls package

Additional Equipment Can Be Used With:

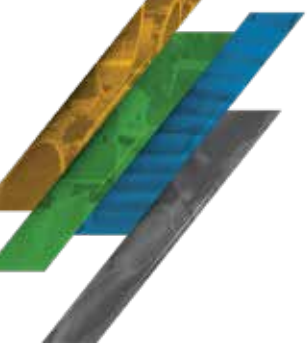
- Automatic bag placer
- Sealing conveyors
- Bag closer (sealer or sewer)
- Bag knockdown/turners
- Bag flattening
- TRP-3000 - robotic palletizing



Materials Typically Handled

- Flours and starches
- Spice and bakery blends
- Animal nutrient blends
- Industrial chemicals
- Oily products with low-bulk density
- And more

One Partner For All Your Material Handling Needs.



SINGLE AUGER PACKER

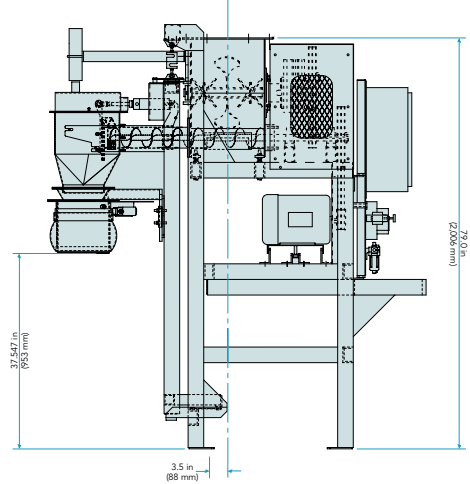
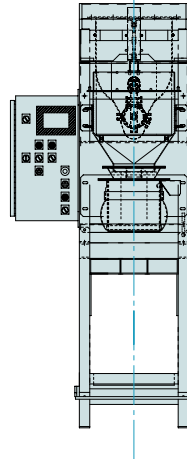
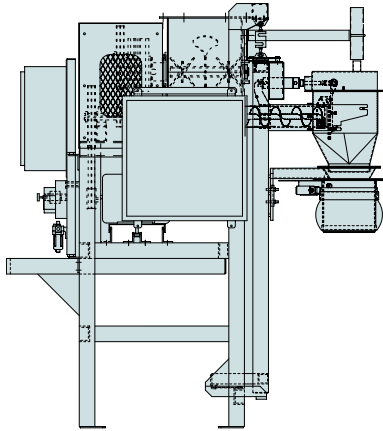
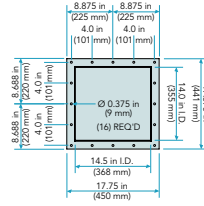


Diagram dimensions are for reference only*

SPECIFICATIONS

Speed	Up to three bags per minute
Accuracy	\pm 0.2 lb
Weight Range	15 to 125 lb (9 to 56 kg) <i>(Weight range is dependent on product's bulk density. Free product testing recommended.)*</i>
Scale	Load cell with digital display
Construction	Frame, carbon steel blasted & painted
Electrical Requirements	230/460 volt, 3 phase, 60 hertz for motors 120 VAC, 1 phase, 60 hertz for controls
Air Requirements	90 PSI (6 BAR) compressed air at 5 SCFM <i>(Compressed air must be clean and dry*)</i>
Inflatable Bag Clamp Capacity	60 lb (27 kg); capacities greater than 60 lbs require the optional bag support platform
Auger	4" OD, carbon steel, stainless steel is optional
Enclosures	NEMA12



AUGER SPOUT FLAP GATE

- Quick release pins for ease of maintenance and clean out
- Increase filling accuracy



INFLATABLE BAG SPOUT

- Dust control
- Positive seal on bag



©2024 Magnum Systems, Inc. All rights reserved. Catalog number MS.1035.0824



www.magnumsystems.com

Toll Free 800.748.7000 Fax 913.362.7863
7945 Flint Street, Lenexa, KS 66214