



VIBRATORY NET WEIGH SCALE



Magnum Systems' TE-10 Series is an electronic, small net weigh scale designed for weightments of 2 oz to 12 lb. The TE-10 series is designed with a solid mount net weigh bucket to increase accuracy. The TE-10 series will meter out granular material into bags, pouches, or pails.

TE-10 SERIES

VARIABLE SPEED ELECTRONIC SCALE FOR PACKAGING SMALL ACCURATE WEIGHTS

Features

- Simplex, duplex, and jumbo configurations
- Vibratory feeder
- Direct-mount net weigh bucket for increased fill speed
- Bulk and dribble fill cycle
- Adjustable product flow via rubber hopper transition
- Interchangeable spout for various containers
- T-4000 weigh controller for precise filling

Optional Features

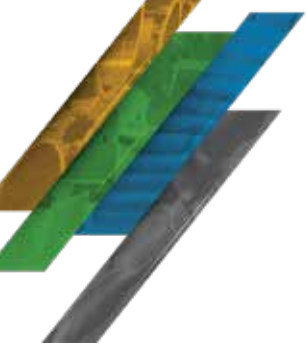
- Dual set point
- Adjustable flow boot
- Bulk accumulation for weights of 12 lbs
- Toolless disassembly for cleanup
- Auto-zero

Materials Typically Handled

- Granulars
- Pet food
- Salt
- Candies
- Seeds
- Grains



One Partner For All Your Material Handling Needs.



VIBRATORY NET WEIGH SCALE

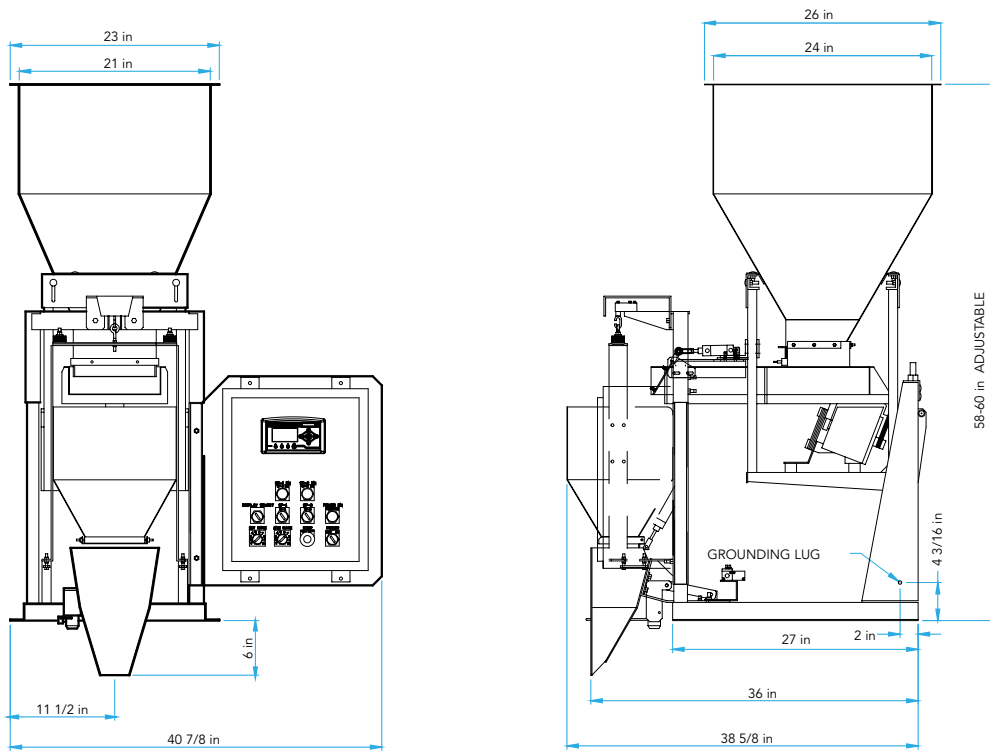


Diagram dimensions are for reference only*

SPECIFICATIONS

Speed	Up to 12 on simplex, up to 24 on duplex weighments per minute
Accuracy	Up to 0.4%
Bag Weight Range	2 oz to 12 lb (0.057 to 5.443 kg) (Up to 25 lb on jumbo) <i>(Weight range is dependent on product's bulk density. Free product testing recommended.)</i>
Construction	Carbon steel blasted and painted
Electrical Requirements	120 volt, 5 amp
Air Requirements	90 PSI, 1 cfm
Enclosures	NEMA12

TE-10 - JUMBO DUPLEX



VIBRATORY TRAY



©2024 Magnum Systems, Inc. All rights reserved. Catalog number MS.1059.0824